

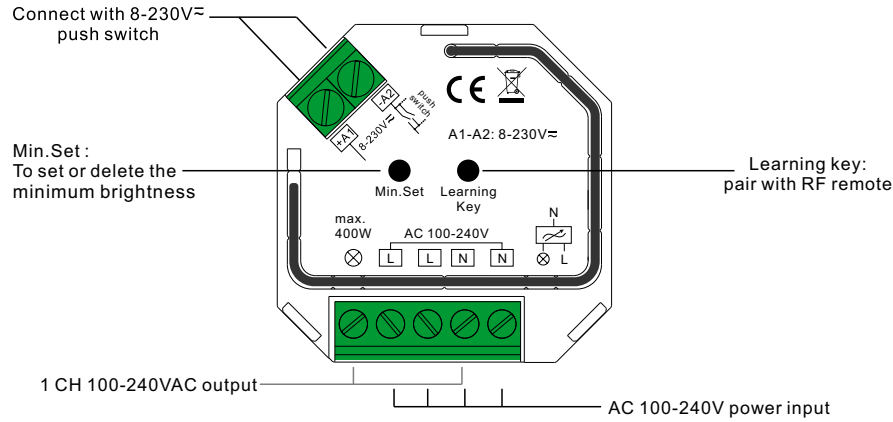
AC Phase Cut RF + Push Dimmer

09.09SAP.04734



Important: Read All Instructions Prior to Installation

Function introduction



Product Data

| Input Voltage | Output Voltage | Output Current | Size(LxWxH) |
|---------------|----------------|----------------|----------------|
| 100-240VAC | 100-240VAC | 1.5A max | 45.5x45x20.3mm |

| Compatible Load Types | | | |
|-----------------------|---|----------------------------|---|
| Load Symbol | Load Type | Maximum Load | Remarks |
| | Dimmable LED lamps | 200W @ 220V 100W @ 110V | Due to variety of LED lamp designs, maximum number of LED lamps is further dependent on power factor result when connected to dimmer. |
| | Dimmable LED drivers | 200W @ 220V 100W @ 110V | Maximum permitted number of drivers is 200W divided by driver nameplate power rating. |
| | Incandescent lighting, HV Halogen lamps | 400W @ 220V 200W @ 110V | |
| | Low voltage halogen lighting with electronic transformers | 200W @ 220V 100W @ 110V | |

- 100-240VAC Wide Input and Output Voltage
- Radio Frequency : 868/869.5/916.5/434mhz
- 1 Channel Output, Up to 400W
- Input and Output with Screw Terminals, Safe and Reliable
- Trailing edge dimming
- Supports resistive loads and capacitive loads
- Innovative minimum brightness setting function

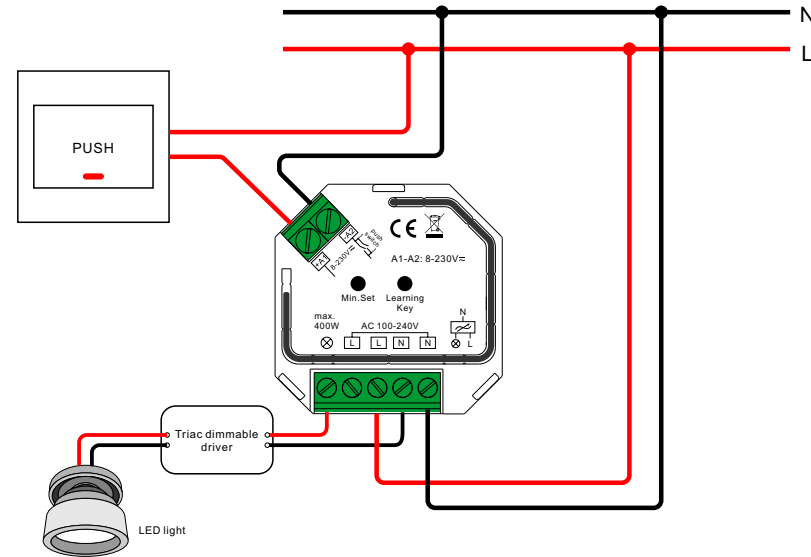
- Single Wire Push Switch Input for Push Dim Function
- Great Compatibility with Universal 8V-230V~ Input Push Switches
- Great compatibility with a variety of Perfect RF series single color remote controls
- To dim and switch single color dimmable LED lamps, traditional incandescent and halogen lights
- Mini Size, Easy to be Installed into a standard 86*86mm wall box
- Waterproof grade: Ip20

Safety & Warnings

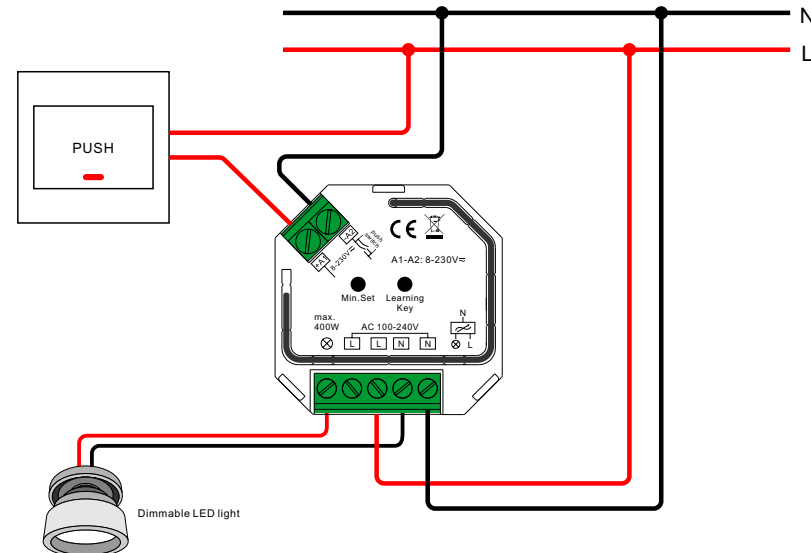
- DO NOT install with power applied to device.
- DO NOT expose the device to moisture.

Wiring diagram

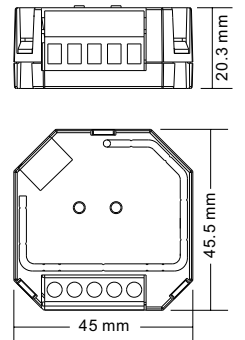
(1)With triac dimmable driver



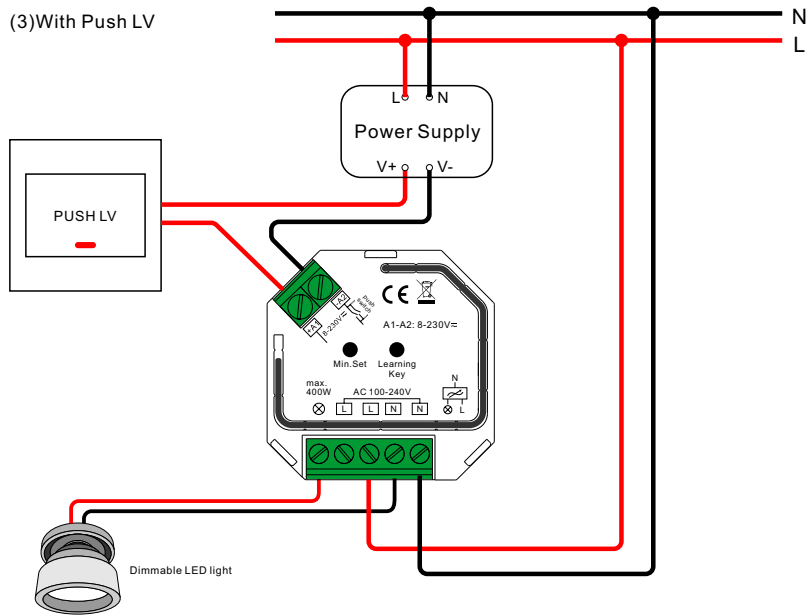
(2)With dimmable LED light



Product Dimension



(3)With Push LV



This phase dimmer adopts trailing edge dimming (reverse phase control), please make sure the connected loads support reverse phase control. Please refer to the user manual of the load or consult the supplier of the load.

Pair/delete the pairing with RF remote

1. Do wiring according to connection diagram.
2. Pair RF Receiver with RF remote: please refer to the instruction of the remote that you would like to pair with.
3. Delete the pairing:

(1) Wire up the RF receiver correctly, power on.

(2) Press and hold down the “**Learning Key**” button on receiver for over 3 seconds until the LED indicator flashes, which means well deleted.

Setting minimum brightness:

Adjust brightness to a level, then press and hold down “Min. Set ” key on the dimmer until the light flashes, once set a minimum brightness, the light can only be dimmable between this minimum brightness and maximum brightness.

The dimming range of this dimmer is 1%-100%, but some load types may flicker when dimmed to 1%, thus a minimum brightness shall be set higher than 1% to avoid flickering during dimming process.

Delete the minimum brightness:

Adjust the brightness to maximum level, then click “Min. Set” key on the dimmer to delete the minimum brightness, the light will flash to indicate successful reset.

PUSH DIM:

While connected with PUSH switch, click the button to switch ON/OFF lights. Press and hold down the button to increase/decrease light intensity.